



P.O. Box 249 – 35 Elm Street, Walkerton, Ontario N0G2V0
Tel 519-881-0262 800-485-7101 Fax 519-881-3573
E-mail: info@arlat.com Web: www.arlat.com

Quote Information Sheet – Grit Classifier

Project: _____

Contact: _____

Company: _____

Address: _____

Phone: _____

E-mail: _____

Fax: _____

Peak Flow Rate: _____

Overall Length: _____

Classifier Width: _____

Discharge Height: _____

Max Head Room: _____

Type of Feed: _____

Cyclone required: _____

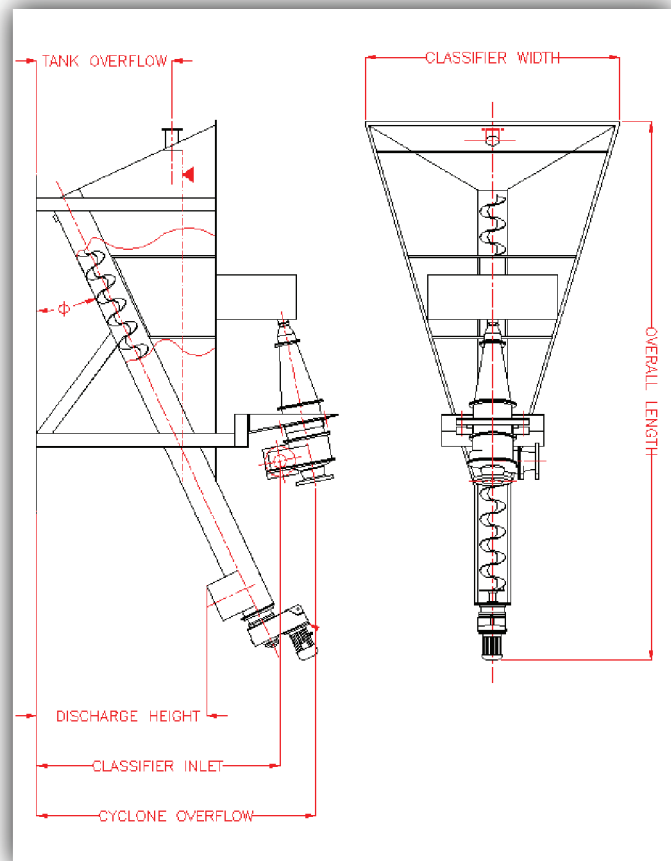
Construction Material: _____

Available Voltage: _____

Motor Type: _____

Controls required: _____

Control type (Nema): _____



Further Details / Special Conditions /
 Dimensional Restrictions: _____
